

HQ-BOX2 | Edge Server



Flexible & Powerful AI and
IoT-Edge / Networking server

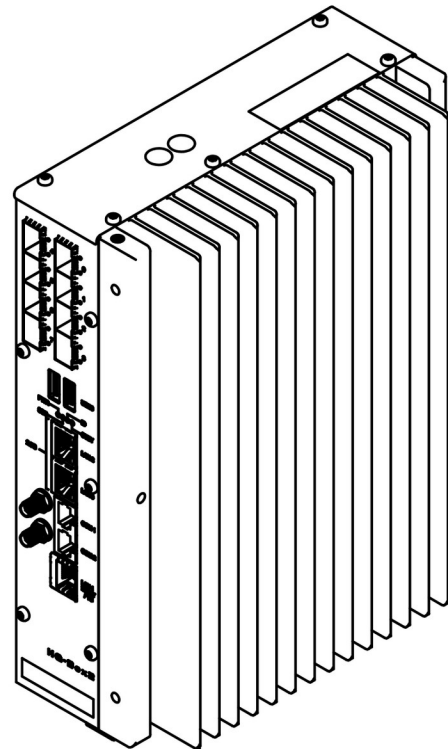
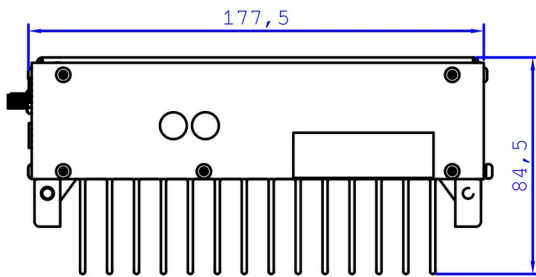
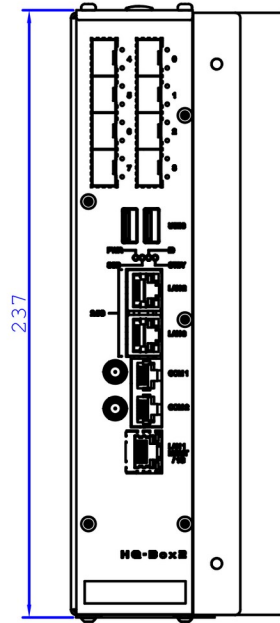
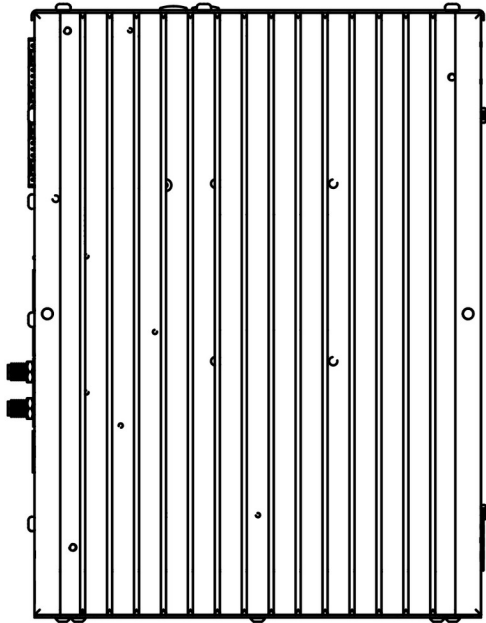


HQ-Box2 Mechanical dimensions

Table of Contents

HQ-Box2 Bare dimensions.....	2
HQ-Box2 2X dimensions.....	3
HQ-Box2 Storage-M dimensions.....	4
HQ-Box2 Combo dimensions.....	5
HA-Box2 AI dimensions.....	6
Summary.....	7
HQ-Box2 Desktop mount slim.....	8
HQ-Box2 Desktop Mount wide.....	9
HQ-Box2 Wall mount (WMT).....	10
HQ-Box2 DIN mount.....	11
HQ-Box2 rugged mount.....	12
Revision notes.....	14
Copyright Notice.....	14

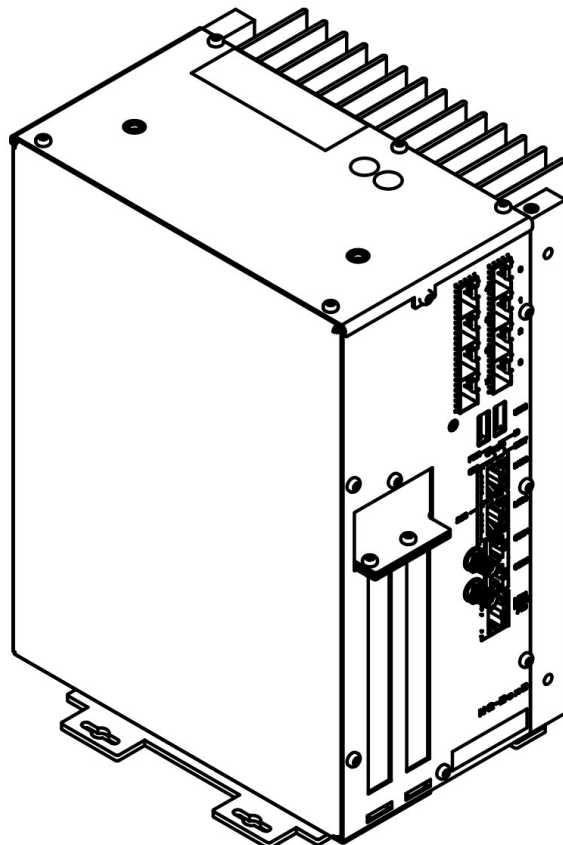
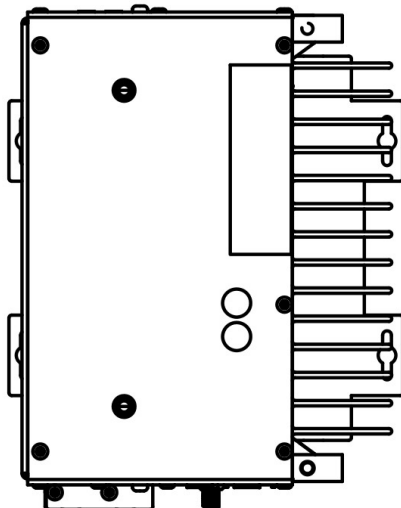
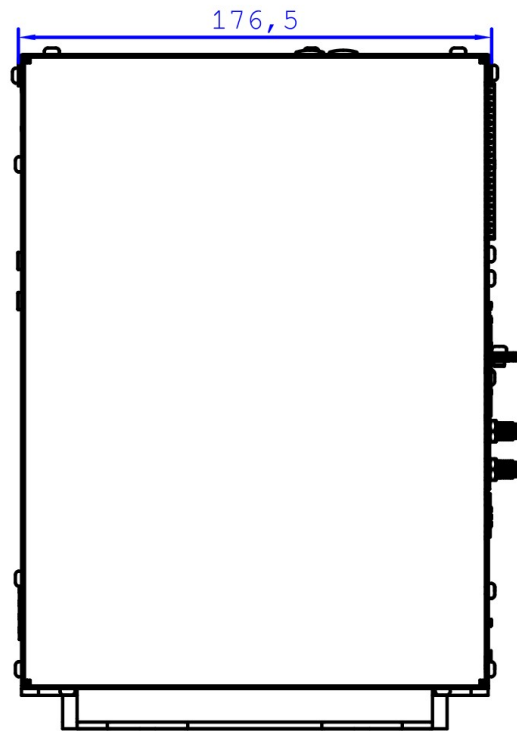
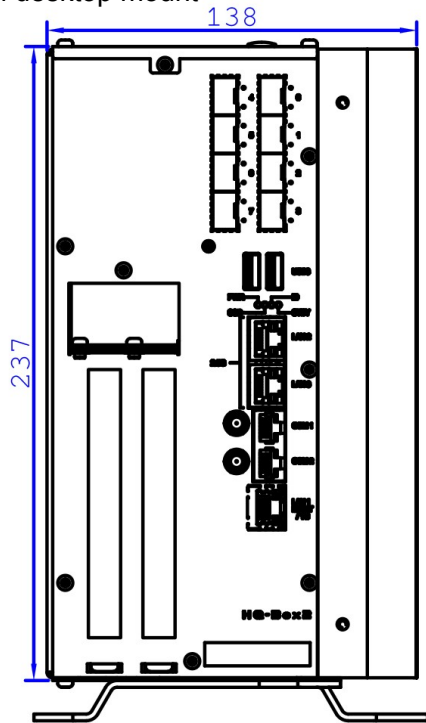
HQ-Box2 Bare dimensions



HQ-BOX2 | Edge Server

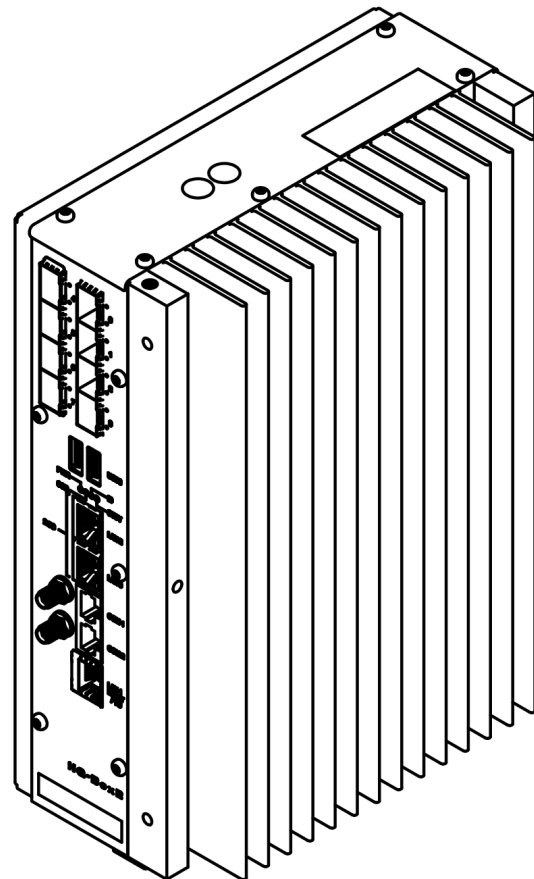
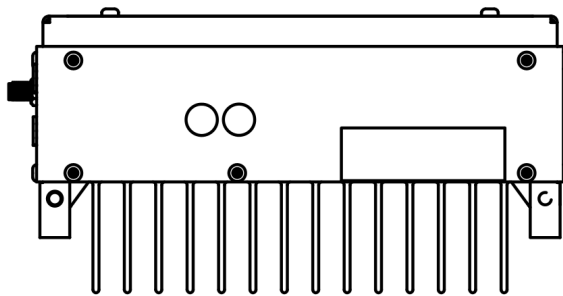
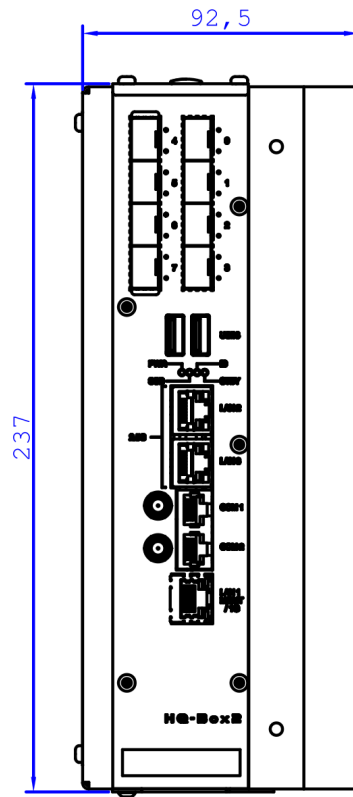
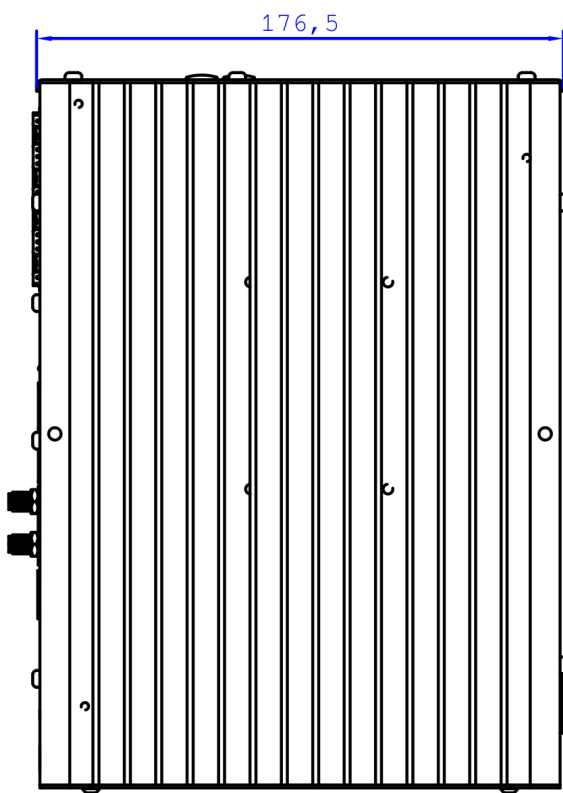
HQ-Box2 2X dimensions

Shown with desktop mount



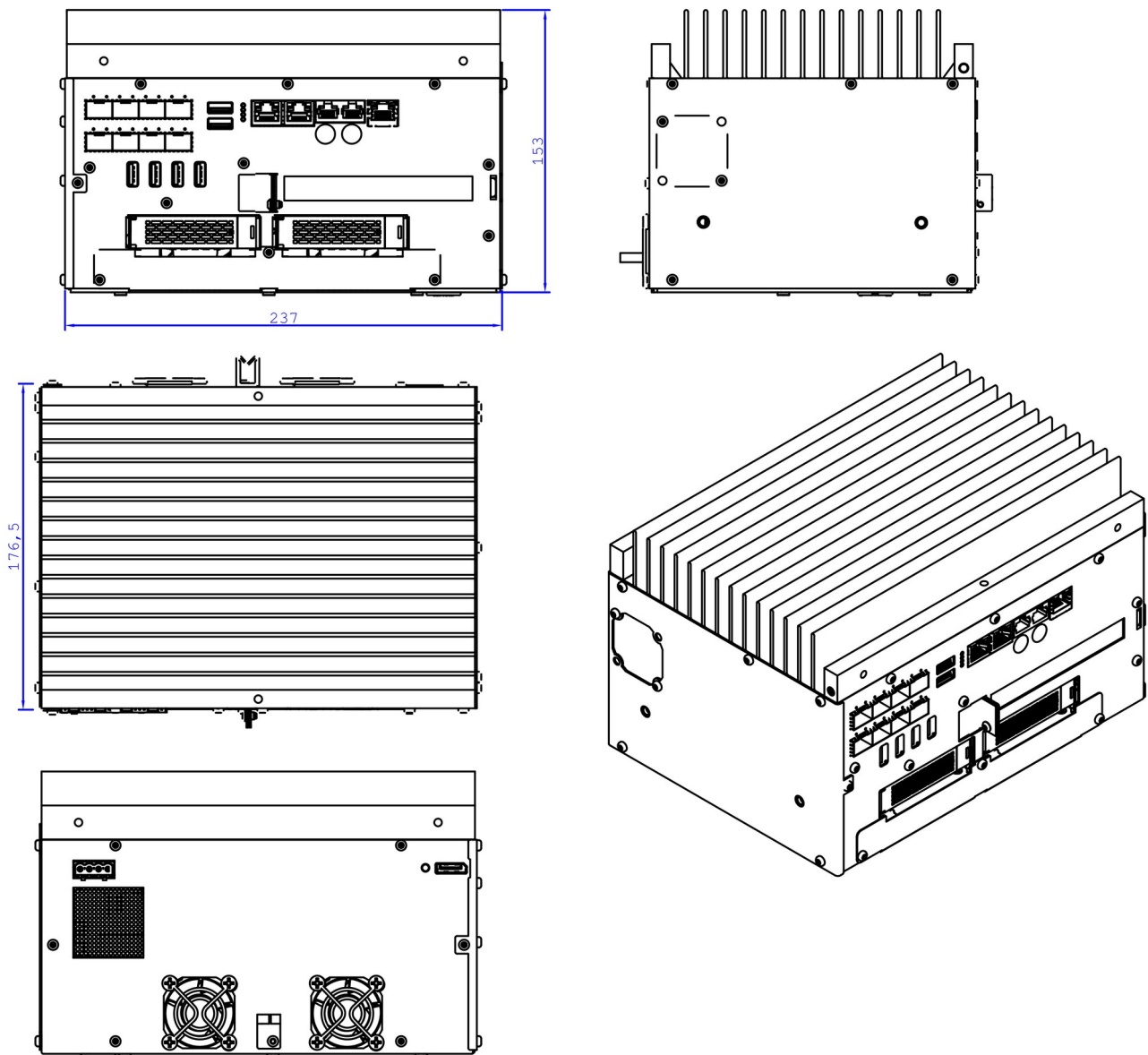
HQ-BOX2 | Edge Server

HQ-Box2 Storage-M dimensions



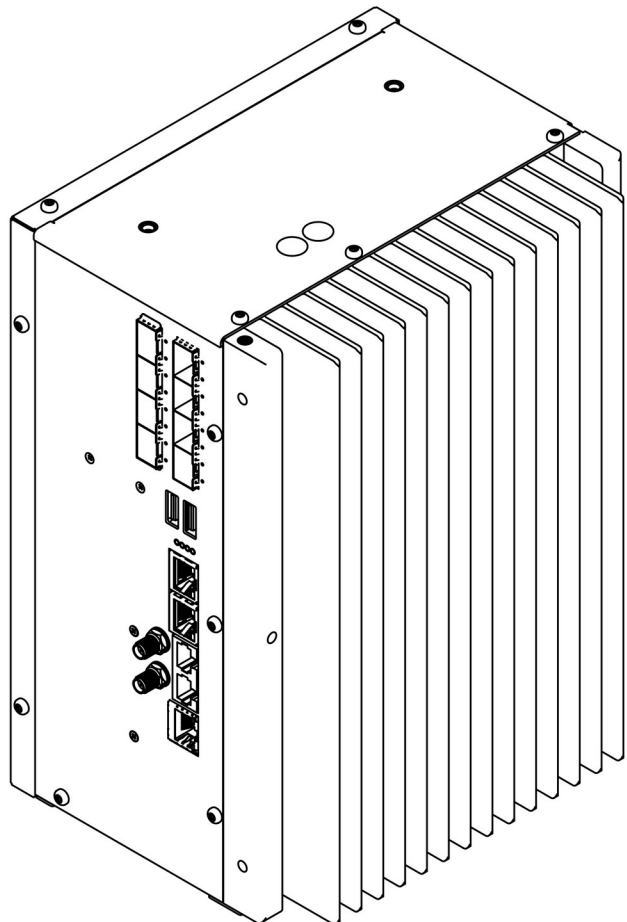
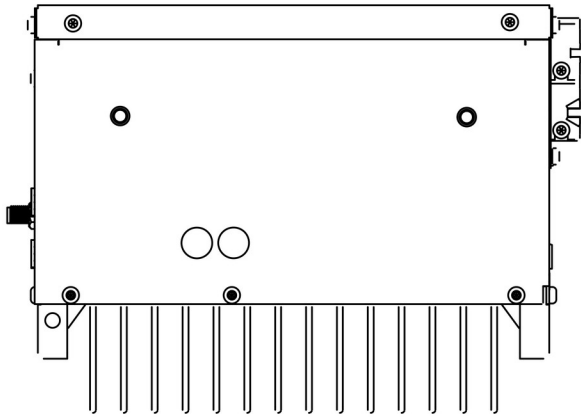
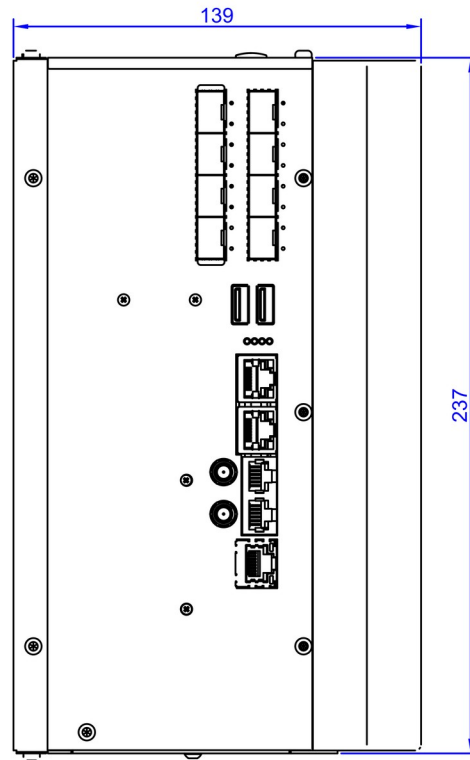
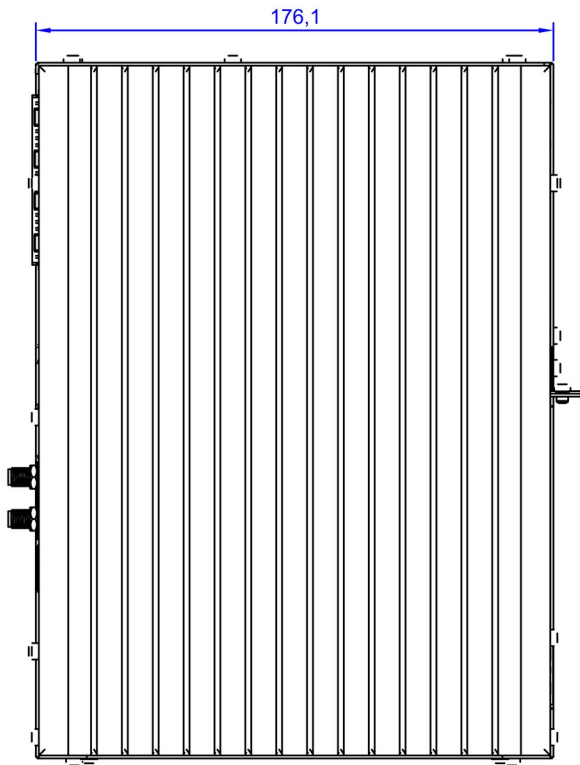
HQ-BOX2 | Edge Server

HQ-Box2 Combo dimensions



HQ-BOX2 | Edge Server

HA-Box2 AI dimensions



HQ-BOX2 | Edge Server

Summary

DIMENSIONS by model:

HQ-Box2 Bare: 84x177x237mm (WxDxH)

HQ-Box2 2X: 138x176x237mm (WxDxH)

HQ-Box2 Storage-M: 92x176x237mm (WxDxH)

HQ-Box2 Combo: 153x176x237mm (WxDxH) Note this model is usually mounted horizontally.

HQ-Box2 AI: 139x176x237mm (WxDxH)

Mounting options:

Model	Mounting option				
	Desktop slim	Desktop wide	Wall mount	DIN mount	Rugged mount
HQ-Box2 Bare	●		●	●	
HQ-Box2 2X		●	●	◐	●
HQ-Box2 Storage-M	●		●	●	
HQ-Box2 Combo		●	●	◐	●
HQ-Box2 AI		●	●	◐	●

Agenda:

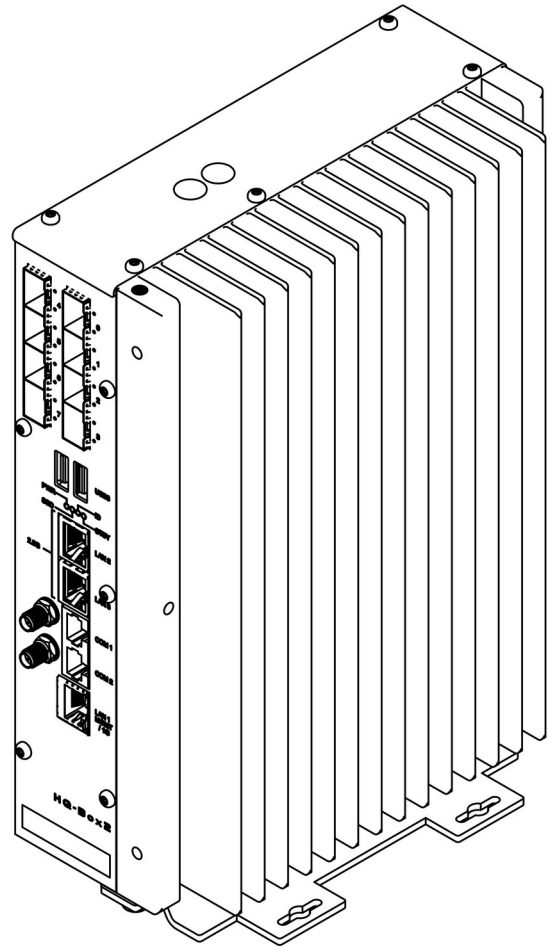
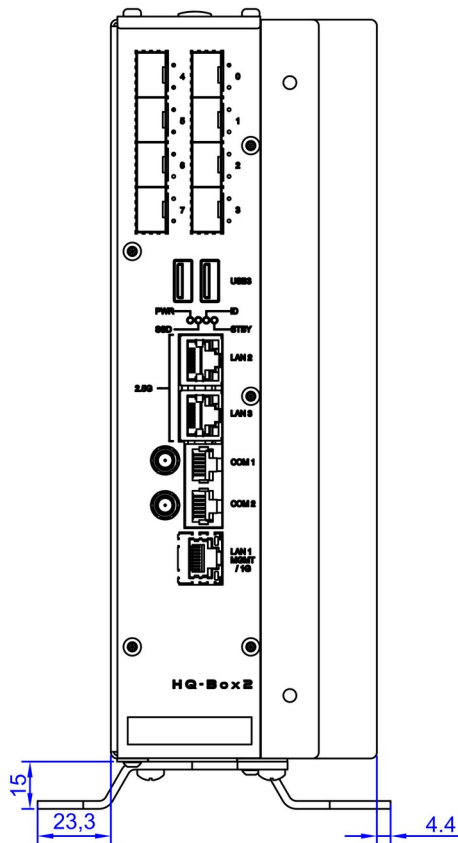
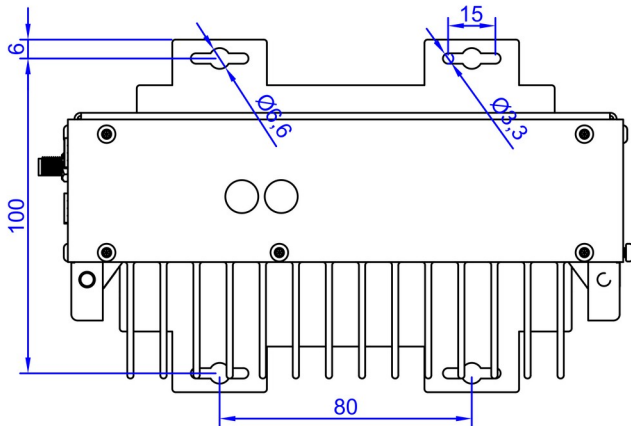
- - Fully supported
- ◐ - supported with some adaptation

Note: There is no need to specify “slim” or “wide” When ordering the desktop mount option. The correct mount will be selected according to the HQ-Box2 model.

HQ-BOX2 | Edge Server

HQ-Box2 Desktop mount slim

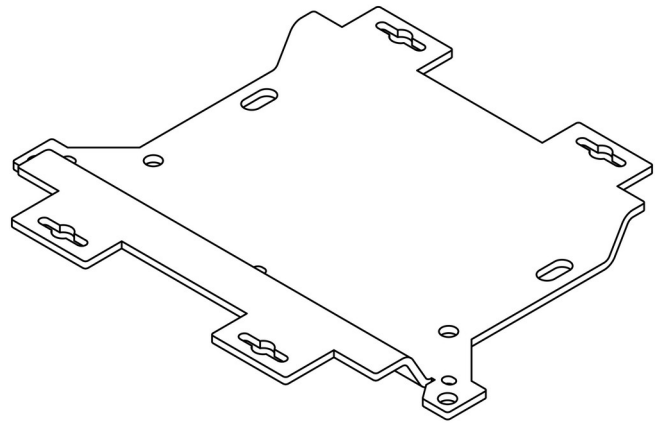
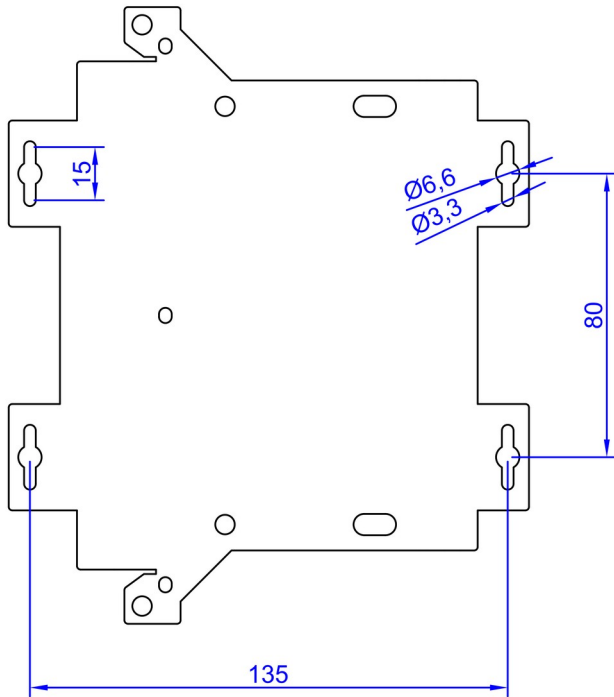
Compatible with HQ-Box2 Bare, HQ-Box2 Storage-M.
shown with HQ-Box2 Bare.



HQ-BOX2 | Edge Server

HQ-Box2 Desktop Mount wide

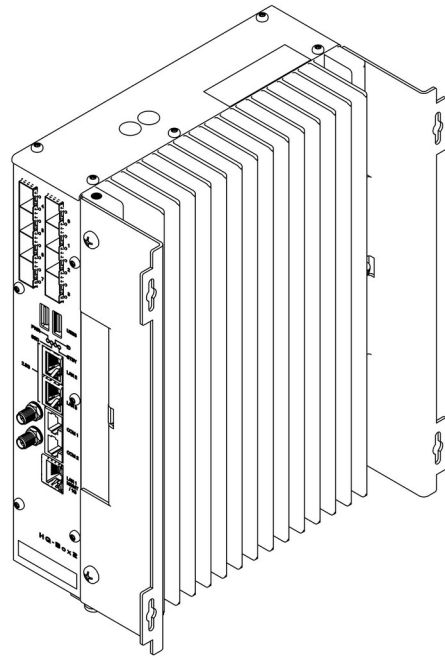
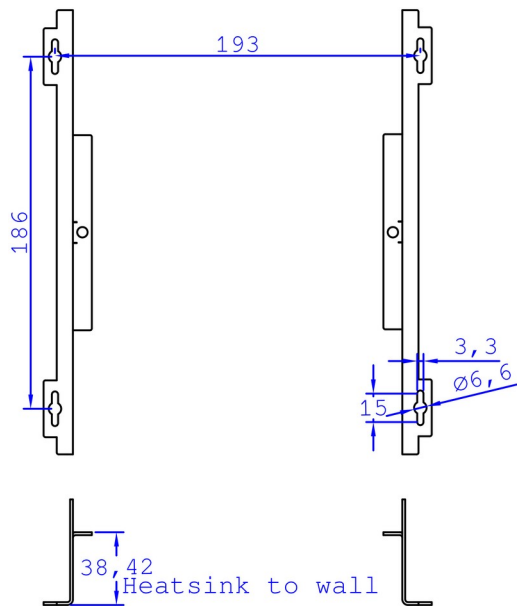
Compatible with: HQ-Box2 2X, HQ-Box2 Combo, HQ-Box2 AI.
See the slim drawing for additional dimensions.



HQ-BOX2 | Edge Server

HQ-Box2 Wall mount (WMT)

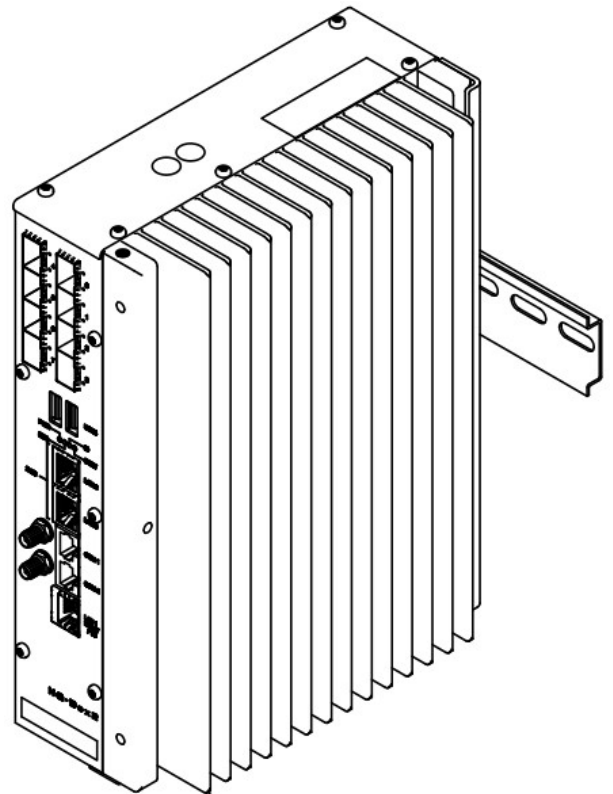
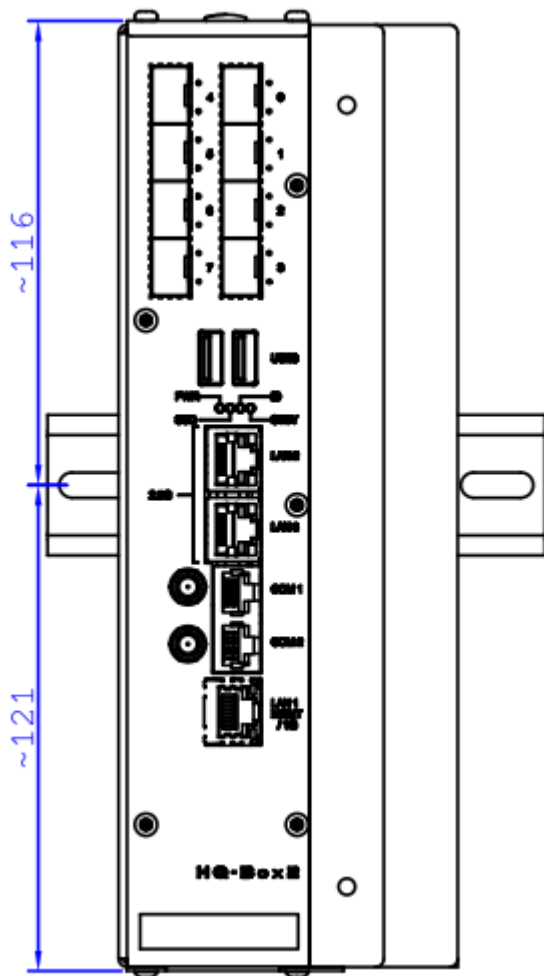
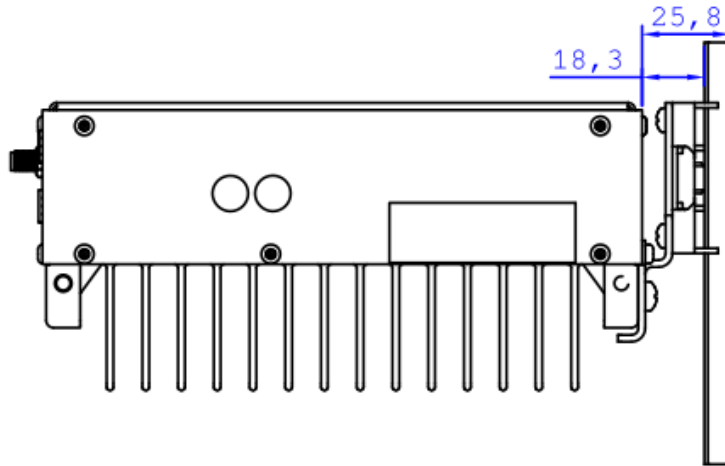
Compatible with all models.



HQ-BOX2 | Edge Server

HQ-Box2 DIN mount

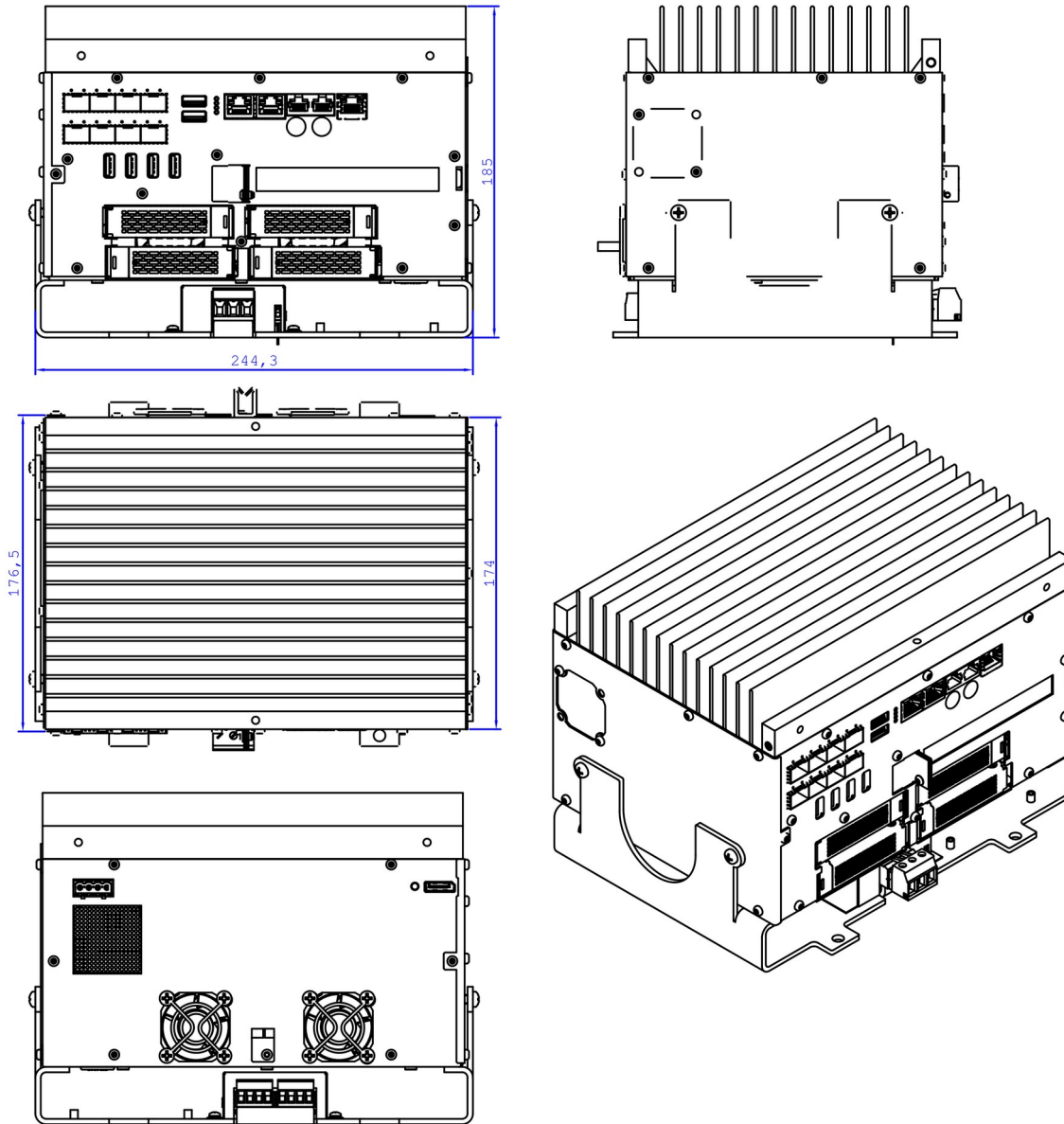
supported by all models (some adaptation for HQ-Box2 2X, HQ-Box2 Combo, and HQ-Box2 AI).



HQ-BOX2 | Edge Server

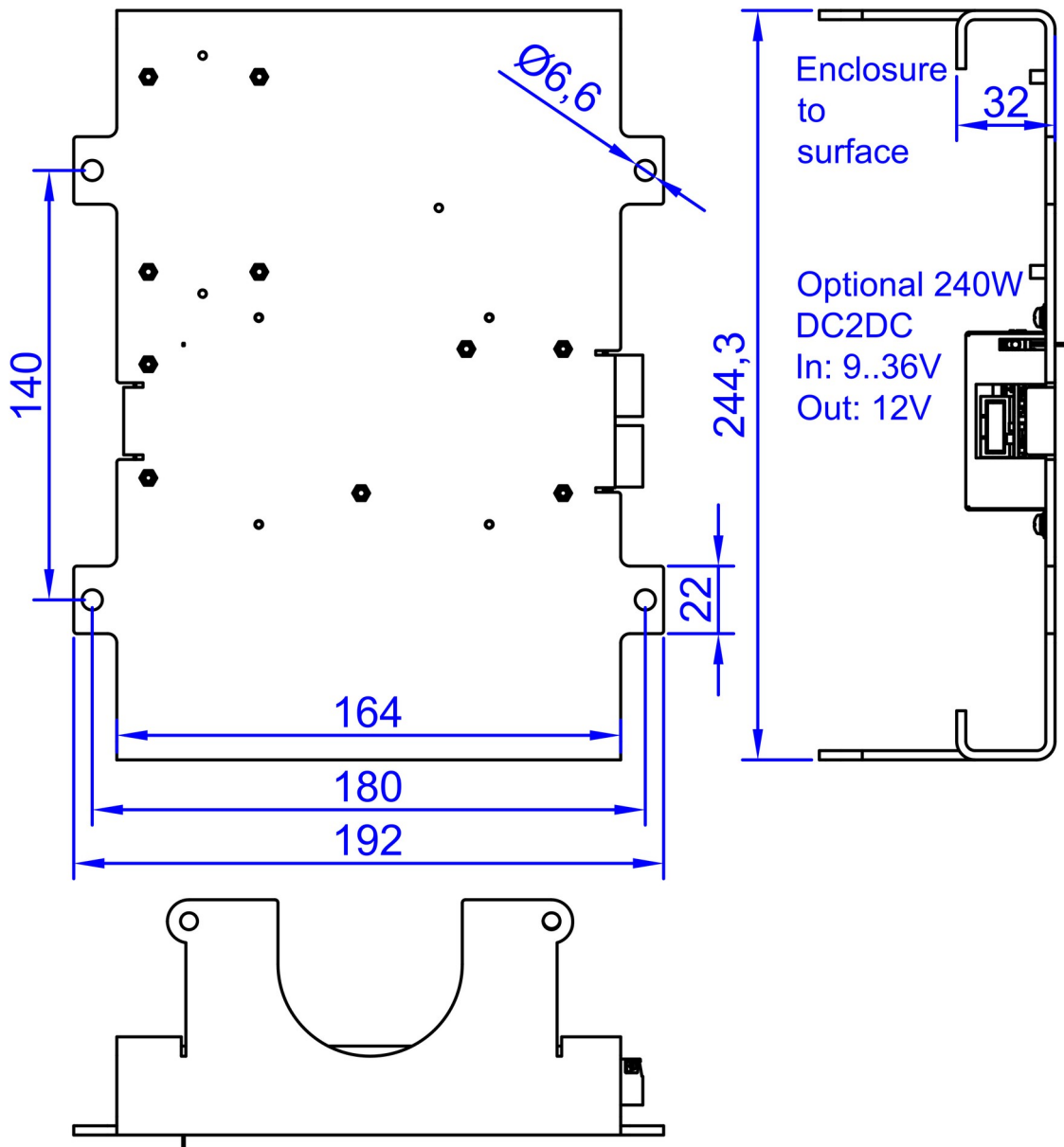
HQ-Box2 rugged mount

Supported by: HQ-Box2 2X, HQ-Box2 Combo, HQ-Box2 AI.
Shown with HQ-Box2 Combo and DC2DC240 converter.



Mount dimensions next page..

HQ-BOX2 | Edge Server



HQ-BOX2 | Edge Server

Revision notes

Revision	Date	Notes
1	20240804	Combine all HQ-Box2 drawings into a single document.

Copyright Notice

This document is the property of Heptagon Systems Pty Ltd (a.k.a. Heptagon Systems) and its affiliated companies, and is copyrighted 2016-2024. Translation, duplication or copying of this document in part or in whole, is strictly prohibited without prior written consent from Heptagon Systems.

All rights are reserved. Heptagon Systems reserves the right to make modifications to the product(s) described in this document for improvement, safety and functionality at any time without notice.